

# BELLA FIGURA

## Milne Chandelier

### CL50-8+4

Collection Name

**CANTERBURY COLLECTION**

An impressive two-tier Milne chandelier, simple but distinguished, that would look at home in any country property. The shades are included and can be specified in any of our 300+ silks and satins. The frame is available in a smooth or hammered texture and in four different finishes, whilst the central rod can be ordered in any size. This timeless chandelier can also be ordered in bespoke sizes

### Test Certification

UL (Underwriters Laboratories) test certificates available for the USA - will incur a surcharge  
IEC (International Electrotechnical Commission) test certificates available - will incur a surcharge



CL50-8+4 in Hammered Decorated Bronze with 12 X 4 Inch Tall Drum Shades in 3998/ 41 Beige

### Available Finishes

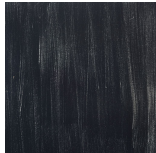
#### Metal Finish



Antique Gold



Antique Silver



Lead

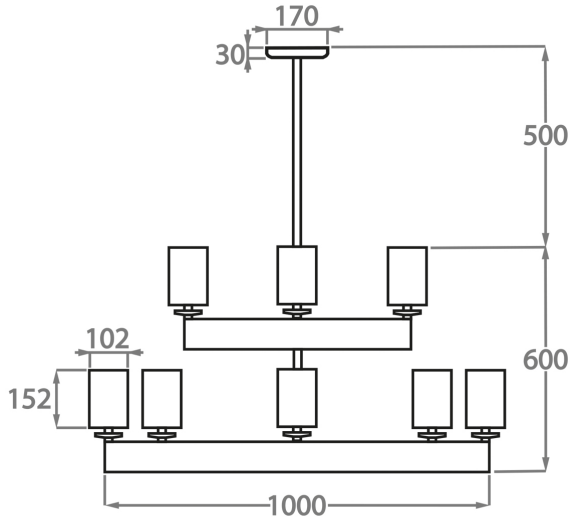


Decorated  
Bronze

## Available Sizes

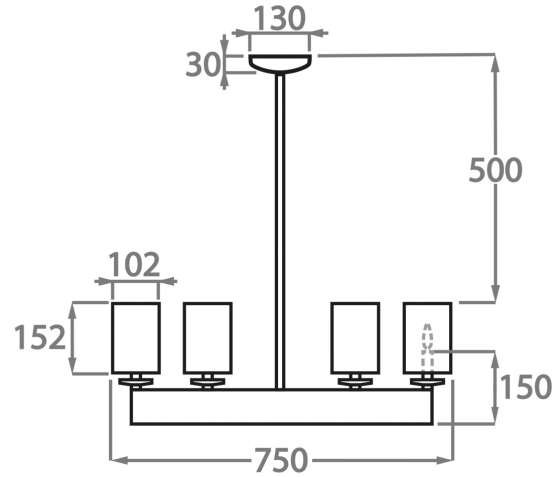
### Size One

CL50-8+4,  
Height: 75 cm (29.53")  
Diameter: 110 cm (43.31")  
Bulbs: 12 x 25W E14  
Net Weight: 16 kg / 35 lb



### Size Two

CL50-6,  
Height: 75 cm (29.53")  
Width: 75 cm (29.53")  
Bulbs: 6 x 25W E14  
Net Weight: 13 kg / 29 lb



The central rod can be ordered as standard in any overall height between 75cm (29.5") and 110cm (43.3"). If a greater overall height is required, please contact us.