

BELLA FIGURA

Lyra Chandelier

CL802

Collection Name
VEGA COLLECTION

Lyra is the constellation that hosts the star Vega from which our collection gets its name. This chandelier exudes feminine appeal with glass petals fashioned into shapes reminiscent of an ancient lyre, a stringed instrument known in Latin as 'Lyra'.

Compatible with



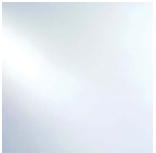
Bathroom



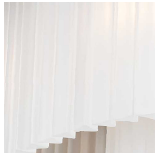
CL802-100 in Satin & Brushed Gold

Available Finishes

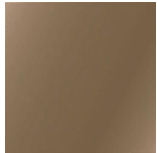
Glass Finish



Clear



Satin



Smoke

Metal Finish



Brushed Dark
Bronze



Brushed Gold



Brushed Nickel

Available Sizes

Size One

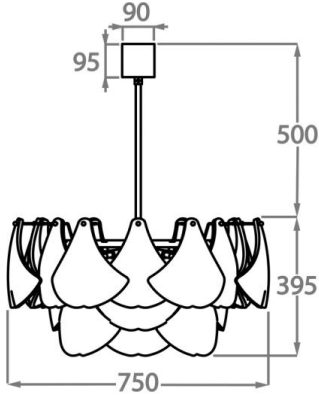
CL802-75,

Height: 39.5 cm (15.55")

Diameter: 75 cm (29.53")

Bulbs: 7 x 2.5W G9 LED

Net Weight: 30 kg / 66 lb



Size Two

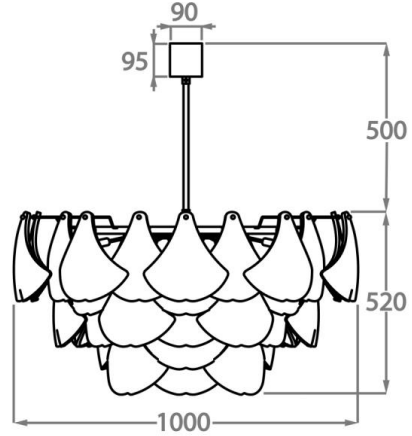
CL802-100,

Height: 52 cm (20.47")

Diameter: 100 cm (39.37")

Bulbs: 10 x 2.5W G9 LED

Net Weight: 45 kg / 99 lb



Size Three

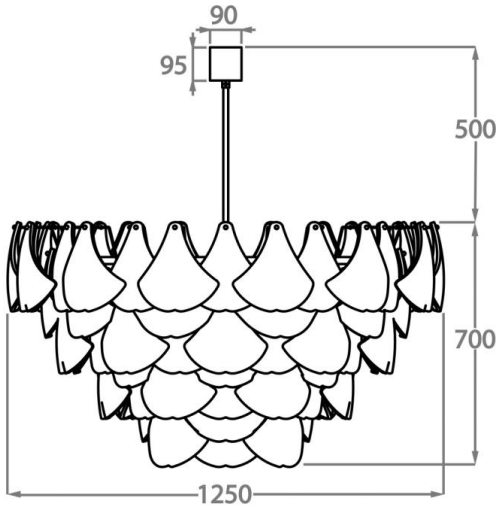
CL802-125,

Height: 70 cm (27.56")

Diameter: 125 cm (49.21")

Bulbs: 16 x 2.5W G9 LED

Net Weight: 70 kg / 154 lb



The dimensions of the central supporting rod and ceiling rose are not included in the height measurements.

The standard rod and ceiling rose is 50cm (20") high if not otherwise specified by the customer.

This design can be made in custom sizes.

Please Note: Our chandeliers are not supplied with ceiling hooks. The ceiling rose, chain and rod specification will differ dependent on the weight of the chandelier. A qualified electrician must assess your ceiling structure and advise on the right fitting.