

BELLA FIGURA

Lavalier Pendant Cluster

CL378-5

Collection Name

HALCYON COLLECTION

A little-known gesture of romantic engagement is the giving of a single jewelled pendant, a lavalier. Our inspiration for this piece evolved from the fabled Heart of the Ocean necklace, an enduring symbol of love, luxury and devotion. These delicate lead crystal pendants features a hand-cut unbroken line which echoes the reflections on flowing water.

Compatible with



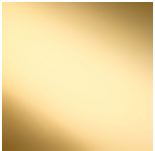
Bathroom



CL378-5 Lavalier Pendant Cluster in Clear Lead Crystal and Polished Brass

Available Finishes

Metal Finish



Polished Brass

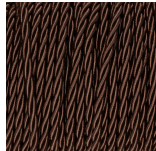


Polished Nickel

Silk Flex



Silver



Brown



Black



Cream

Available Sizes

Single

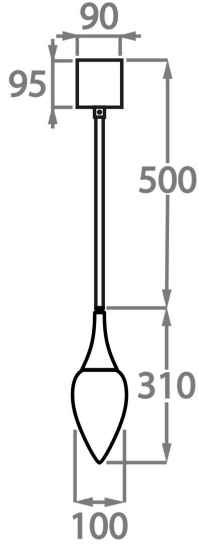
CL378,

Height: 31 cm (12.2")

Diameter: 11 cm (4.33")

Bulbs: 1 x 5W G9 LED

Net Weight: 2 kg / 5 lb



5 Light

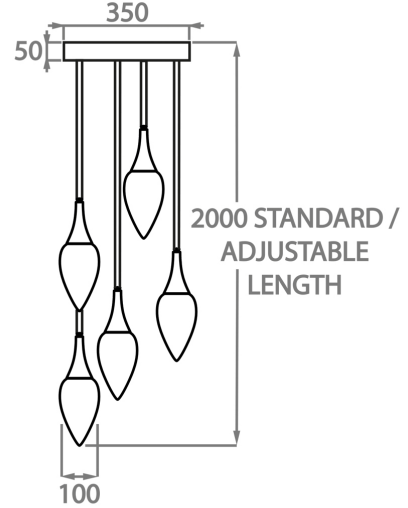
CL378-5,

Height: 31 cm (12.2")

Diameter: 30 cm (11.81")

Bulbs: 5 x 5W G9 LED

Net Weight: 14 kg / 31 lb



Please note: The above measurements are just of the ceiling plate, not the whole cluster as this is a custom product the heights of each pendant can be placed at the desired heights on site.

This is a custom size cluster pendant, we can make this in any desired size with as many pendants on the plate as required. The ceiling plate can also be made in any shape and size depending on the amount of pendants featured.

The flex length is available in 200cm (78.7") in length. Please specify if you wish for longer flex, each pendant length can be altered on site when the light is installed.