

BELLA FIGURA

Ice Chandelier Two Tier

CL800-2T

Collection Name
VEGA COLLECTION

The Ice chandelier is a reinvention of one of our classics, the Icicle chandelier, which returns, quite literally, with a twist. The glass pendants themselves have been entirely remodelled and now these stalactite-esque droplets are suspended in swirling layers which install a sense of stillness and calm. This chandelier won its place in our Vega collection as its whirling form reminds us of vast rolling galaxies.

Compatible with



Bathroom



CL800-2T-75 in Clear and Brushed Nickel

Available Finishes

Metal Finish



Brushed Dark
Bronze



Brushed Gold

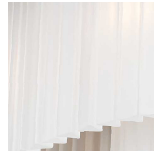


Brushed Nickel

Murano Glass Finish



Clear Murano

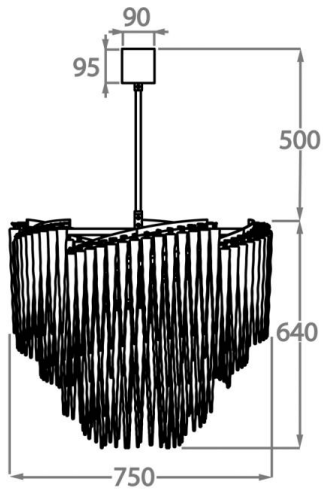


Satin Murano

Available Sizes

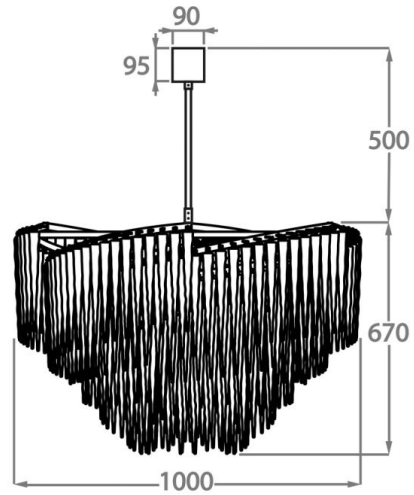
Size One

CL800-2T-75,
Height: 64 cm (25.2")
Diameter: 75 cm (29.53")
Bulbs: 12 x 5W G9
Net Weight: 56 kg / 123 lb



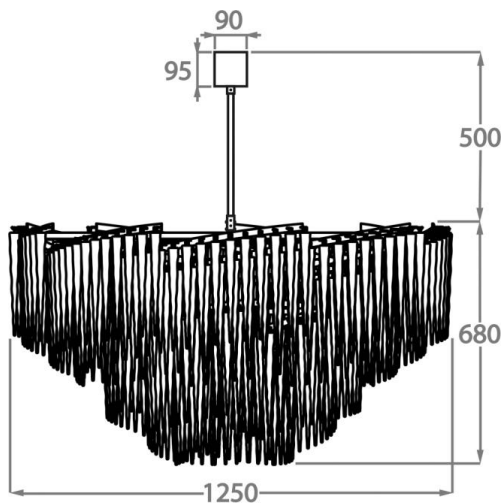
Size Two

CL800-2T-100,
Height: 67 cm (26.38")
Diameter: 100 cm (39.37")
Bulbs: 16 x 5W G9



Size Three

CL800-2T-125,
Height: 68 cm (26.77")
Diameter: 125 cm (49.21")
Bulbs: 20 x 5W G9



The dimensions of the central supporting rod and ceiling rose are not included in the height measurements
The standard rod and ceiling rose is 50cm (20") high if not otherwise specified by the customer
This design can be made in custom sizes

Please Note: Our chandeliers are not supplied with ceiling hooks. The ceiling rose, chain and rod specification will differ dependent on the weight of the chandelier. A qualified electrician must assess your ceiling structure and advise on the right fitting.