

BELLA FIGURA

Gibbous Lamp

TL815

Collection Name
VEGA COLLECTION

There is no celestial body as prominent in the night sky than our humble Moon, its faithful presence is one we consider with wonderment and awe. The Gibbous table lamp is made in tribute to the mysterious spirit of our lunar companion; a generous hand-blown glass body in three shadowy tones paired with a textured and gilded neck which echoes the rocky surface of The Moon. Owed to its flattened form and slim oval lampshade, Gibbous is perfectly suited to console tables and narrower spaces.



TL815 in Mahogany and Antique Silver Leaf with 16" Oval Shade in James Hare
31625-03

Available Finishes

Glass Finish



Mahogany

Midnight

Metal Finish



Antique Gold Leaf

Antique Silver Leaf

Recommended Shade(s) (OPTIONAL)

16" Oval

Silk Flex



Black

Cream

Brown



Silver

Available Sizes

Size One

TL815,

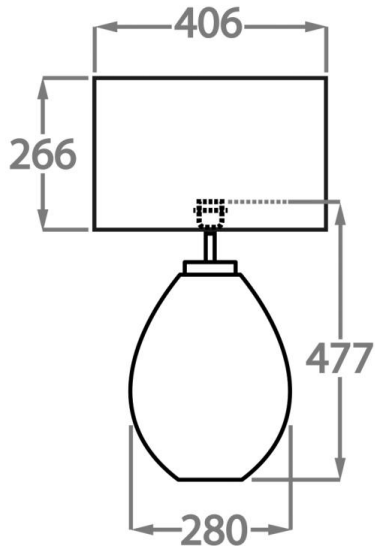
Height: 47.7 cm (18.78")

Width: 28 cm (11.02")

Depth: 14 cm (5.51")

Bulbs: 1 x 40W E27

Cable Exit: Top



Dimensions are measured from the base of the lamp to the middle of the bulb holder and are excluding shade.

The overall height including the recommended 16" straight oval shade is 70.7cm - 27.8"