

BELLA FIGURA

Elisabetta Chandelier

CL205

Collection Name

MOONLIGHT COLLECTION

The crownlike beginnings of this majestic chandelier grew from a design created more than 100 years ago. A crucial update to the style being the simplification of lines which give it sleek modernity and a luxurious look. Satin glass petals and their delicately crafted clasps combine to compose a distinctive and opulent centre piece, as well as a flush mounted single tier crown perfect for slimmer rooms and hallways.

Test Certification

IEC (International Electrotechnical Commission) test certificates available - will incur a surcharge

UL (Underwriters Laboratories) test certificates available for the USA - will incur a surcharge

Suitable for Yachts - Rod and bolting available for use on yachts

Compatible with



Bathroom



CL205 in Satin Glass and Brushed Gold

Available Finishes

Glass Finish



Elisabetta Satin

Metal Finish



Brushed Gold



Brushed Nickel



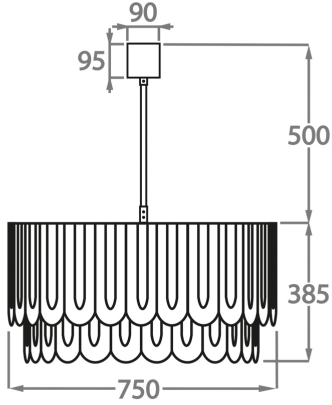
Brushed Dark
Bronze

Available Sizes

Size One

CL205-75,

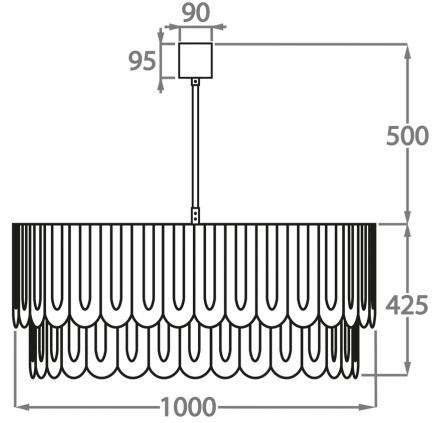
Height: 38.5 cm (15.16")
Diameter: 75 cm (29.53")
Bulbs: 9 x LED 5W G9 LED
Net Weight: 30 kg / 66 lb



Size Two

CL205-100,

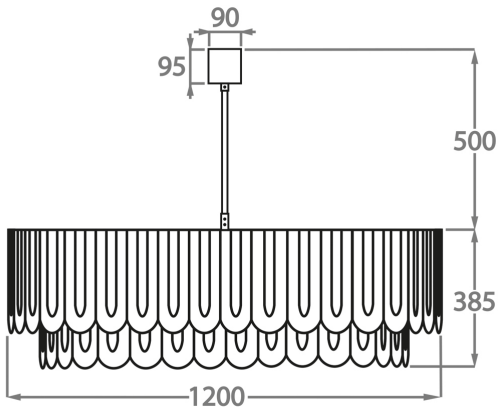
Height: 42.5 cm (16.73")
Diameter: 100 cm (39.37")
Bulbs: 12 x LED 5W G9 LED
Net Weight: 40 kg / 88 lb



Size Three

CL205-120,

Height: 38.5 cm (15.16")
Diameter: 120 cm (47.24")
Bulbs: 15 x LED 5W G9 LED
Net Weight: 75 kg / 165 lb



The dimensions of the central supporting rod and ceiling rose are not included in the height measurements
The standard rod and ceiling rose is 50cm (20") high if not otherwise specified by the customer