

BELLA FIGURA

Diamond Solitaire Small Lamp

TL713-SM

Collection Name

BEVERLY HILLS COLLECTION

A stunning new table lamp, which is from the same Italian artisan makers of our weighty Diamond lamps. Flawless, pristine polished Murano glass, which are mould made so that they are perfect every time, they are formed from four layers of glass in our core Beverly Hills collection colours. Available in two sizes, these lamp bases are slim, which makes them perfect for console and bedside tables.

Test Certification

IEC (International Electrotechnical Commission) test certificates available - will incur a surcharge
UL (Underwriters Laboratories) test certificates available for the USA - will incur a surcharge
Suitable for Yachts - Rod and bolting available for use on yachts

Compatible with



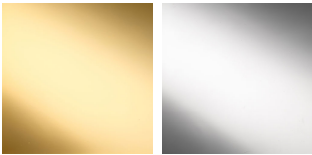
Yacht Club



TL713 in Amethyst & Clear and Polished Nickel with a 12" Oval Shade in 38000/112

Available Finishes

Metal Finish



Polished Gold

Polished Nickel

Murano Glass Finish



Amethyst & Clear (Solitaire)

Clear (Solitaire)

Forest Green & Clear (Solitaire)



Slate & Clear (Solitaire)

Tobacco & Clear (Solitaire)

Recommended Shade(s) (OPTIONAL)

12" Oval

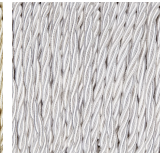
Silk Flex



Black



Cream



Silver



Brown

Available Sizes

Size One

TL713-SM,

Height: 34 cm (13.39")

Width: 22 cm (8.66")

Depth: 10 cm (3.94")

Bulbs: 1 x 40w E27

Net Weight: 8 kg / 18 lb Cable Exit: Top



Size Two

TL713-LA,

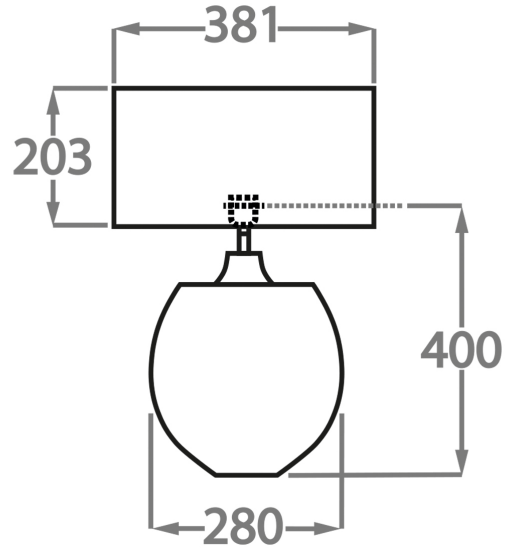
Height: 40 cm (15.75")

Width: 28 cm (11.02")

Depth: 10 cm (3.94")

Bulbs: 1 x 40W E27

Net Weight: 10 kg / 22 lb Cable Exit: Top



Dimensions are measured from the base of the lamp to the middle of the bulb holder and are excluding shade.

Shades are also available in Customer Own Material (COM)

Please note, due to our Diamond table lamps being individually hand made and each one being unique, there may be slight variations in colour