

# BELLA FIGURA

## Concertina Chandelier

CL114

Collection Name

**MAYFAIR COLLECTION**

Our Concertina chandelier, is a contemporary piece inspired by brutalist designs from the 1970s and is available in a new distressed bronze finish. This design is made out of a series of random brass v-shaped strips, which are welded together to produce a unique piece of modern ceiling sculpture with a subtle lighting effect. The chandelier is finished off with a frosted Lucite bottom diffuser and a central finial

### Test Certification

IEC (International Electrotechnical Commission) test certificates available - will incur a surcharge  
UL (Underwriters Laboratories) test certificates available for the USA - will incur a surcharge

### Compatible with



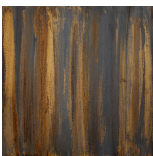
Bathroom



CL114-100 in Distressed Bronze with a Lucite Diffuser

### Available Finishes

#### Metal Finish



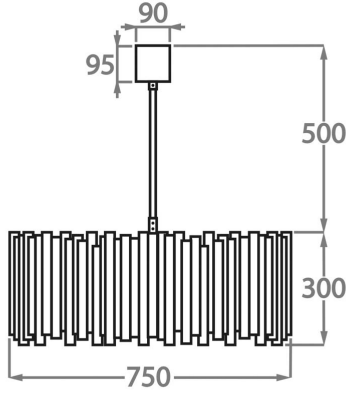
Distressed Bronze

**Available Sizes**

---

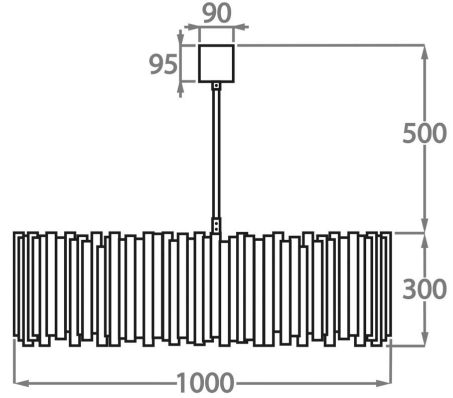
**Size One**

CL114-75,  
Height: 30 cm (11.81")  
Diameter: 75 cm (29.53")  
Bulbs: 6 x 40W E27  
Net Weight: 17 kg / 37 lb



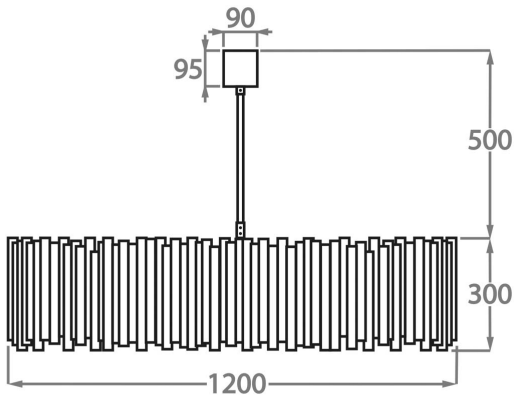
**Size Two**

CL114-100,  
Height: 30 cm (11.81")  
Diameter: 100 cm (39.37")  
Bulbs: 8 x 40W E27  
Net Weight: 26 kg / 58 lb



**Size Three**

CL114-120,  
Height: 30 cm (11.81")  
Diameter: 120 cm (47.24")  
Bulbs: 8 x 40W E27  
Net Weight: 34 kg / 75 lb



The dimensions of the central supporting rod and ceiling rose are not included in the height measurements.  
The standard rod and ceiling rose is 50cm (20") high if not otherwise specified by the customer.

\*Please note that as the metal is hand-finished, no two distressed finishes will be exactly the same