

BELLA FIGURA

Triple Drum Droplet Chandelier

CL463-3T

Collection Name

RETRO MURANO COLLECTION

The Droplet chandelier is available in three brushed metal finishes and is adorned with both clear and smoke marbled effect glass droplets. This thought-provoking piece is an emotive focal point and its dark smoke effect is captivating and unique in its design, now designed in a striking triple drum version.

Finish note: Due to the nature of our hand made product our finishes can vary from piece to piece. Please be aware studio lighting can affect tone of metals and alter material appearance slightly. For more details, speak to your sales advisor who may be able to organise sampling upon request.

Test Certification

IEC (International Electrotechnical Commission) test

certificates available - will incur a surcharge

UL (Underwriters Laboratories) test certificates

available for the USA - will incur a surcharge

Compatible with



Bathroom



CL463-3T in Clear Scallop Glass and Brushed Gold

Available Finishes

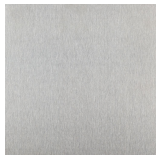
Metal Finish



Brushed Dark
Bronze



Brushed Gold



Brushed Nickel

Murano Glass Finish



Clear & Smoke
Scallop Glass

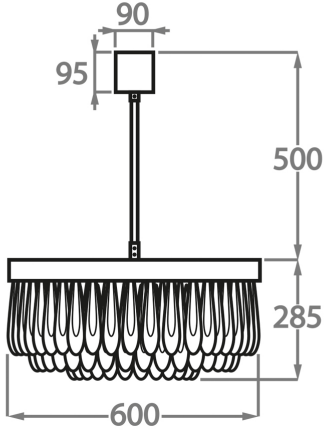


Clear Scallop
Glass

Available Sizes

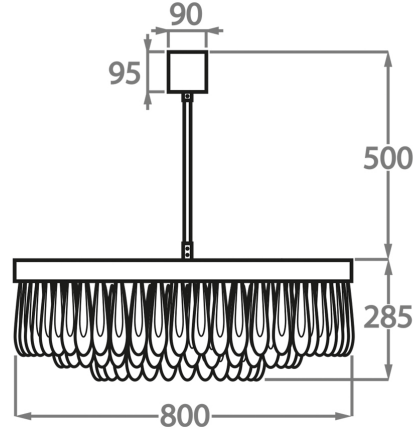
Size One

CL463-3T-60,
Height: 28.5 cm (11.22")
Diameter: 60 cm (23.62")
Bulbs: 9 x 2.5W LED G9
Net Weight: 30 kg / 67 lb



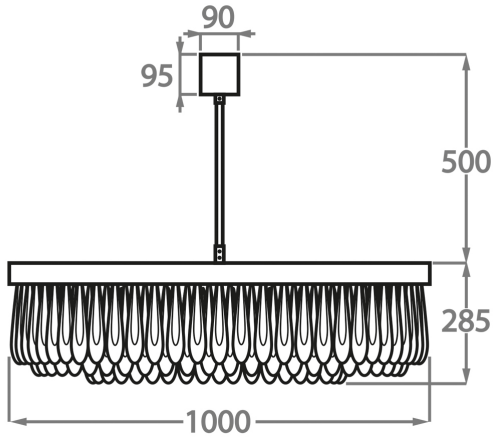
Size Two

CL463-3T-80,
Height: 28.5 cm (11.22")
Diameter: 80 cm (31.5")
Bulbs: 12 x 2.5W LED G9
Net Weight: 42 kg / 93 lb



Size Three

CL463-3T-100,
Height: 28.5 cm (11.22")
Diameter: 100 cm (39.37")
Bulbs: 15 x 2.5W LED G9
Net Weight: 53 kg / 117 lb



The dimensions of the central rod and ceiling rose are not included in the height measurements. The standard rod and ceiling rose height is 50cm (20") if not otherwise specified by customer.

Min. height with rod/chain is 15cm including ceiling rose.

Max. height with rod is 100-120cm. Longer lengths will be made in sections.

Finish note: Due to the nature of our hand made product our finishes can vary from piece to piece. Please be aware studio lighting can affect tone of metals and alter material appearance slightly. For more details, speak to your sales advisor who may be able to organise sampling upon request.