

BELLA FIGURA

Pentagon 2 Chandelier

CL429

Collection Name

RETRO MURANO COLLECTION

The Pentagon 2 chandelier is a beautifully elegant design that is comprised of the same pentagonal Murano glass as our stunning Pentagon Column chandelier. The crafted glass, which is available in both clear and smoke, adds a modern element to a traditional design. This eye-catching piece is available in a number of sizes and metal finishes and can be adapted to suit any design.

Test Certification

IEC (International Electrotechnical Commission) test certificates available - will incur a surcharge
UL (Underwriters Laboratories) test certificates available for the USA - will incur a surcharge



CL429-90 in Satin Pentagonal Murano Glass and Brushed Dark Bronze

Available Finishes

Metal Finish



Chrome



Brushed Dark
Bronze



Polished Gold

Murano Glass Finish



Clear
Pentagonal
Glass



Smoke
Pentagonal
Glass

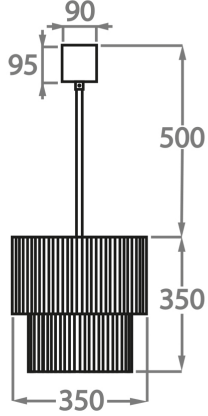


Satin
Pentagonal
Glass

Available Sizes

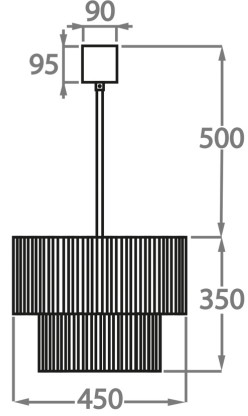
Size One

CL429-35,
Height: 35 cm (13.78")
Diameter: 35 cm (13.78")
Bulbs: 4 x 40w E27
Net Weight: 10 kg / 22 lb



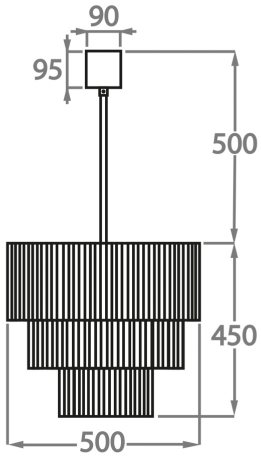
Size Two

CL429-45,
Height: 35 cm (13.78")
Diameter: 45 cm (17.72")
Bulbs: 4 x 40W E27
Net Weight: 13 kg / 29 lb



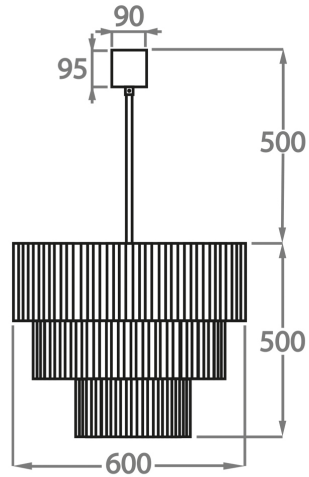
Size Three

CL429-50,
Height: 45 cm (17.72")
Diameter: 50 cm (19.69")
Bulbs: 5 x 40W E27
Net Weight: 19 kg / 42 lb



Size Four

CL429-60,
Height: 50 cm (19.69")
Diameter: 60 cm (23.62")
Bulbs: 7 x 40W E27
Net Weight: 21 kg / 46 lb



Size Five

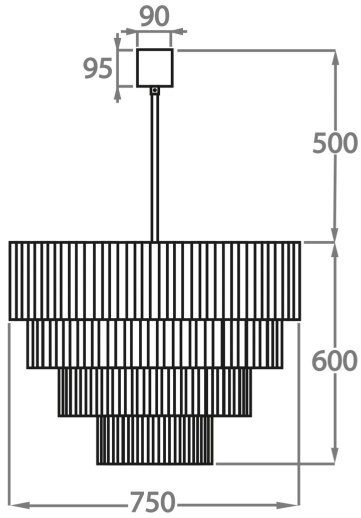
CL429-75,

Height: 60 cm (23.62")

Diameter: 75 cm (29.53")

Bulbs: 10 x 40W E27

Net Weight: 34 kg / 75 lb



Size Six

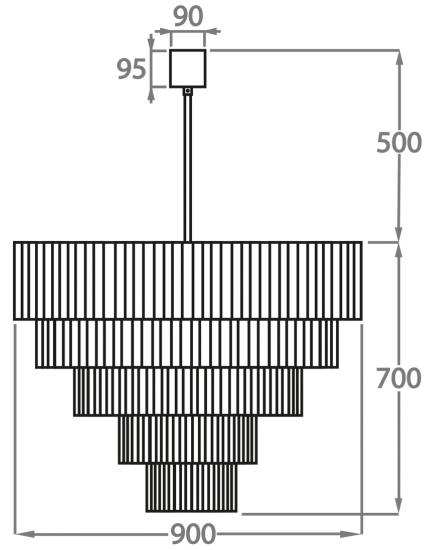
CL429-90,

Height: 70 cm (27.56")

Diameter: 90 cm (35.43")

Bulbs: 13 x 40W E27

Net Weight: 54 kg / 120 lb



The dimensions of the central chain and ceiling rose are not included in the height measurements. Please add a minimum of 15cm (6") to the height to take this into account. The standard chain and ceiling rose height is 50cm (20") if not otherwise specified by customer.