

# BELLA FIGURA

## Lunar Chandelier

### CL213-RO

Collection Name

**MOONLIGHT COLLECTION**

On our Lunar chandelier, alternating Satin and Clear glass plates describe the cyclic waxing and waning Moon phases of which we are familiar. The style of this ceiling light is informed by archives of 1920s Murano glass chandeliers and rejuvenated by a pared down, sleek approach to its form. The perfect pairing to this chandelier is our Lunar wall light, which echoes the orderly sequence of light across its face.

### Test Certification

IEC (International Electrotechnical Commission) test certificates available - will incur a surcharge  
UL (Underwriters Laboratories) test certificates available for the USA - will incur a surcharge

### Compatible with



Bathroom



CL213-RO in Satin with Clear Glass and Brushed Gold

### Available Finishes

#### Glass Finish

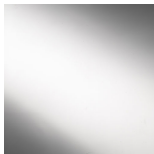


Lunar Satin with Clear

#### Metal Finish



Brushed Nickel



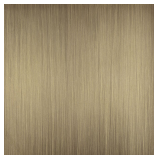
Polished  
Nickel



Brushed Gold



Polished Gold



Brushed Dark  
Bronze

**Available Sizes**

**Size One**

CL213-RO-50,

Height: 23.5 cm (9.25")

Diameter: 50 cm (19.69")

Bulbs: 6 x 25W G9 or 4W LED G9  
G9 LED

Net Weight: 13 kg / 29 lb

**Size Two**

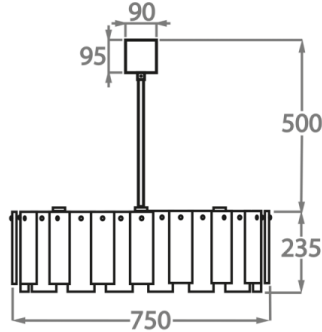
CL213-RO-75,

Height: 23.5 cm (9.25")

Diameter: 75 cm (29.53")

Bulbs: 8 x 25W G9 or 4W LED G9 G9 LED

Net Weight: 25 kg / 55 lb



**Size Three**

CL213-RO-100,

Height: 23.5 cm (9.25")

Diameter: 100 cm (39.37")

Bulbs: 10 x 25W G9 or 4W LED  
G9 G9 LED

Net Weight: 30 kg / 66 lb

**Size Four**

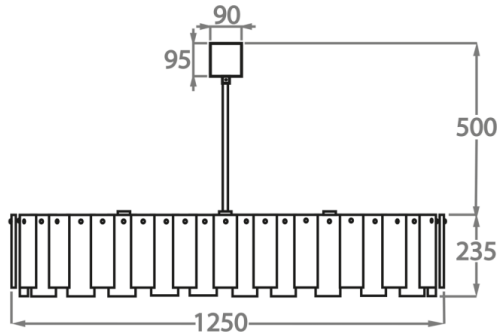
CL213-RO-125,

Height: 23.5 cm (9.25")

Diameter: 125 cm (49.21")

Bulbs: 12 x 25W G9 or 4W LED G9 G9 LED

Net Weight: 42 kg / 93 lb



The dimensions of the central supporting rod and ceiling rose are not included in the height measurements  
The standard rod and ceiling rose is 50cm (20") high if not otherwise specified by the customer  
This design can be made in custom sizes

Please Note: Our chandeliers are not supplied with ceiling hooks. The ceiling rose, chain and rod specification will differ dependent on the weight of the chandelier. A qualified electrician must assess your ceiling structure and advise on the right fitting.