

BELLA FIGURA

Piccadilly Chandelier

CL132

Collection Name
MAYFAIR COLLECTION

Inspired by our ever popular Curzon Street design, the Piccadilly chandelier unites classic Art Deco structures with a strong faceted element etched into the hand-carved Lucite tiles to bring a new silhouette to this collection. This chandelier is suited to spaces with lower ceilings, making for a stunning focal point in any setting

Test Certification

UL (Underwriters Laboratories) test certificates available for the USA - will incur a surcharge
IEC (International Electrotechnical Commission) test certificates available - will incur a surcharge

Compatible with



Bathroom



CL132-100 with Hand-carved Lucite and Bronze

Available Finishes

Lucite Finish



Clear Hand-Carved Lucite

Metal Finish



Polished
Nickel



Polished Gold



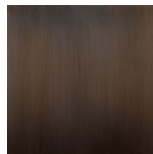
Brushed Gold



Brushed Nickel



Antique
Brushed Brass



Bronze

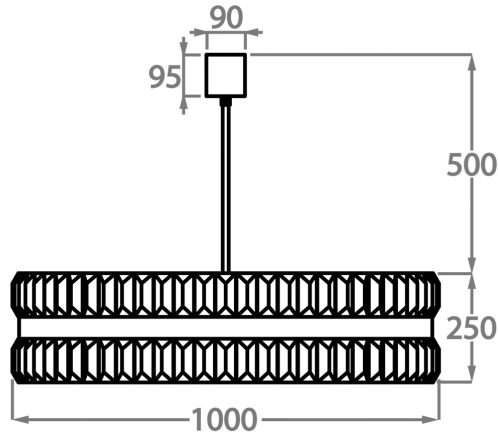
Available Sizes

Size One

CL132-75,
Height: 25 cm (9.84")
Diameter: 75 cm (29.53")
Bulbs: 6 x 40W E27
Net Weight: 19 kg / 42 lb

Size Two

CL132-100,
Height: 25 cm (9.84")
Diameter: 100 cm (39.37")
Bulbs: 8 x 40W E27
Net Weight: 22 kg / 49 lb



Size Three

CL132-125,
Height: 25 cm (9.84")
Diameter: 125 cm (49.21")
Bulbs: 12 x 40W E27
Net Weight: 30 kg / 66 lb

The dimensions of the central supporting rod and ceiling rose are not included in the height measurements.
The standard rod and ceiling rose is 50cm (20") high if not otherwise specified by the customer.