

BELLA FIGURA

Savile Row Two-Tier Chandelier

CL125-2T

Collection Name
MAYFAIR COLLECTION

A new, sleeker version of our popular Savile Row chandelier with two-tiers of hand-carved Lucite tiles and a bottom diffuser, which is supported on elegant cross braces

Test Certification

UL (Underwriters Laboratories) test certificates available for the USA - will incur a surcharge
IEC (International Electrotechnical Commission) test certificates available - will incur a surcharge

Compatible with



Bathroom



CL125-2T-100 in Hand-carved Lucite and Brushed Dark Bronze

Available Finishes

Lucite Finish



Clear Hand-Carved Lucite

Metal Finish



Polished Gold



Brushed Gold



Brushed Nickel



Polished Nickel



Brushed Dark
Bronze

Murano Glass Finish

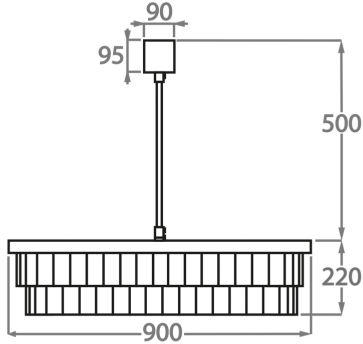


Hammered Glass

Available Sizes

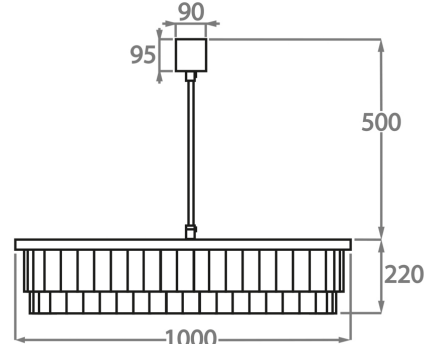
Size One

CL125-2T-90,
Height: 22 cm (8.66")
Diameter: 90 cm (35.43")
Bulbs: 8 x 40W E27
Net Weight: 20 kg / 44 lb



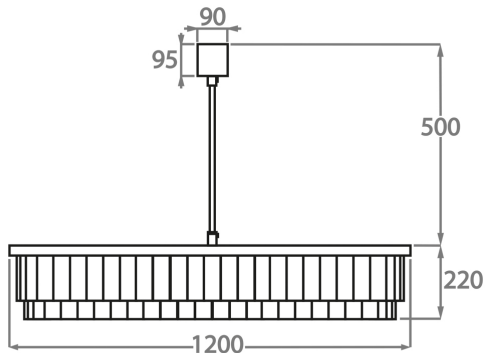
Size Two

CL125-2T-100,
Height: 22 cm (8.66")
Diameter: 100 cm (39.37")
Bulbs: 8 x 40W E27
Net Weight: 22 kg / 49 lb



Size Three

CL125-2T-120,
Height: 22 cm (8.66")
Diameter: 120 cm (47.24")
Bulbs: 10 x 40W E27
Net Weight: 30 kg / 66 lb



The dimensions of the central supporting rod and ceiling rose are not included in the height measurements.
The standard rod and ceiling rose is 50cm (20") high if not otherwise specified by the customer.

Please Note: Our Chandeliers are not supplied with ceiling hooks. All of our chandeliers will mount an adequate ceiling rose, and chain/rod which will depend on the weight of the fixing. A qualified electrician must assess your ceiling structure and advise on the right fitting.