

# BELLA FIGURA

## Savile Row Two-Tier Chandelier

CL125-2T

Collection Name  
**MAYFAIR COLLECTION**

A new, sleeker version of our popular Savile Row chandelier with two-tiers of hand-carved Lucite tiles and a bottom diffuser, which is supported on elegant cross braces

### Test Certification

UL (Underwriters Laboratories) test certificates available for the USA - will incur a surcharge  
IEC (International Electrotechnical Commission) test certificates available - will incur a surcharge

### Compatible with



Bathroom



CL125-2T-100 in Hand-carved Lucite and Polished Gold

### Available Finishes

#### Lucite Finish



Clear Hand-Carved Lucite

#### Metal Finish



Polished Gold



Brushed Gold



Brushed Nickel

#### Murano Glass Finish



Hammered Glass



Polished Nickel



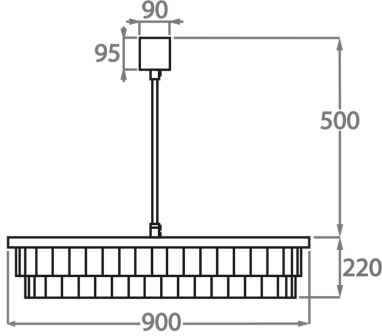
Brushed Dark  
Bronze

**Available Sizes**

---

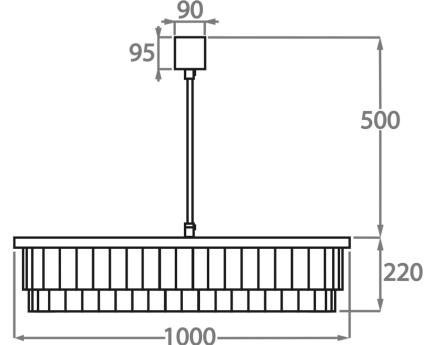
**Size One**

CL125-2T-90,  
Height: 22 cm (8.66")  
Diameter: 90 cm (35.43")  
Bulbs: 8 x 40W E27  
Net Weight: 20 kg / 44 lb



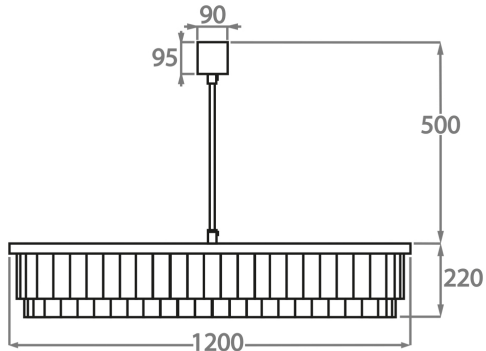
**Size Two**

CL125-2T-100,  
Height: 22 cm (8.66")  
Diameter: 100 cm (39.37")  
Bulbs: 8 x 40W E27  
Net Weight: 22 kg / 49 lb



**Size Three**

CL125-2T-120,  
Height: 22 cm (8.66")  
Diameter: 120 cm (47.24")  
Bulbs: 10 x 40W E27  
Net Weight: 30 kg / 66 lb



The dimensions of the central supporting rod and ceiling rose are not included in the height measurements.  
The standard rod and ceiling rose is 50cm (20") high if not otherwise specified by the customer.

Please Note: Our Chandeliers are not supplied with ceiling hooks. All of our chandeliers will mount an adequate ceiling rose, and chain/rod which will depend on the weight of the fixing. A qualified electrician must assess your ceiling structure and advise on the right fitting.