

# BELLA FIGURA

## Regents Park Chandelier

### CL102

Collection Name

**MAYFAIR COLLECTION**

Although ideal for rooms with slightly lower ceilings, this piece is large in character and its contemporary design is particularly captivating. This compact chandelier is comprised of three 16" drum shades in a choice of over 300+ silk colours. The Regents Park chandelier is both elegant and modern and is the perfect finishing touch to any design

Required modifications for use on yachts - lacquer applied to all metal components.

### Test Certification

UL (Underwriters Laboratories) test certificates available for the USA - will incur a surcharge  
IEC (International Electrotechnical Commission) test certificates available - will incur a surcharge  
Suitable for Yachts - Rod and bolting available for use on yachts

### Compatible with



Yacht Club

### Available Finishes

#### Metal Finish



Brushed Nickel



Polished Nickel



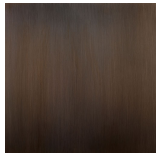
Brushed Gold



Polished Gold



Antique  
Brushed Brass



Bronze



CL102 in Bronze with 16" X 8" Custom Drum Shades in Silk Dupion 5018W (left 625, Middle 175, Right 1095)

## Available Sizes

---

### One Size Only

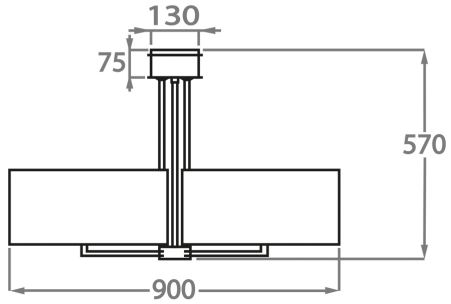
CL102,

Height: 57 cm (22.44")

Diameter: 90 cm (35.43")

Bulbs: 3 x 40W E27

Net Weight: 6 kg / 13 lb



The height detailed is our standard height for this design. Please specify if you require a specific height.

Shades can also be made with Customer Own Material (COM) for the 16" x 8" Custom Drum shades