

BELLA FIGURA

Bodice Lamp

TL663

Collection Name

MOONLIGHT COLLECTION

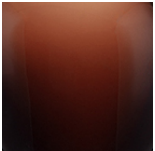
The Bodice table lamp is the English Rose of this latest collection; a feminine personality composed of elegance and beauty with an unmistakably graceful demeanour. This table lamp is comprised of a mouth blown body of glass and a solid, spun brass neck, both deftly crafted in the south of England. Finish note: This lamp finish is opaque; as these lamps are handmade by our artisans in England, they may vary from piece to piece in dimension and appearance.



TL663 in Nightwatch and Polished Brass with a 12" Oval Shade in James Hare 8308/02

Available Finishes

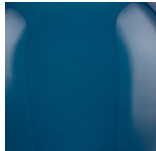
Glass Finish



Mahogany



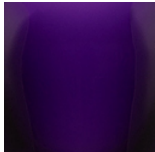
Ink



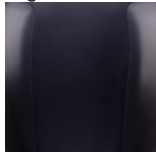
Nightwatch



Ballet



Indigo



Storm



Raincloud

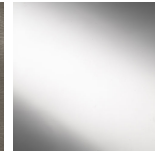
Neck and Bulb Holder



Polished Brass



Pewter



Polished Silver



Antique Brass

Recommended Shade(s) (OPTIONAL)

12" Oval

Silk Flex



Black



Brown



Cream



Silver

Available Sizes

One size only

TL663,

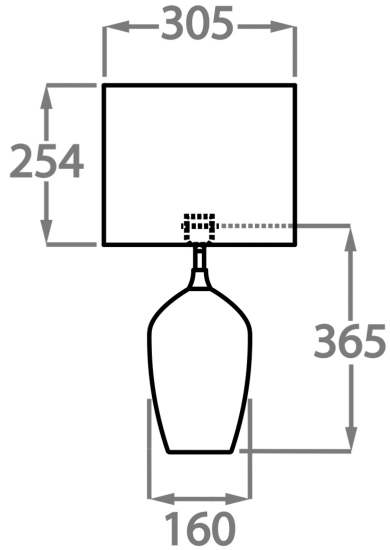
Height: 36.5 cm (14.37")

Diameter: 16 cm (6.3")

Depth: 12 cm (4.72")

Bulbs: 1 x 40W E27

Net Weight: 9 kg / 20 lb Cable Exit: Top



Dimensions are measured from the base of the lamp to the middle of the bulb holder and are excluding shade

The overall height with a 12" oval shade is 57cm

Finish note: As these glass lamps are handmade by our artisans in England, they may vary slightly from piece to piece in dimension and appearance