

BELLA FIGURA

Battersea Chandelier

CL109

Collection Name

MAYFAIR COLLECTION

This edgy new Battersea chandelier inspired by brutalist designs from the 1970s, is available in our new distressed finishes. This design is made out of a series of random brass tubes and Lucite rods, which results in a unique piece of modern ceiling sculpture with a subtle lighting effect.

The chandelier is finished off with a frosted Lucite bottom diffuser and a central finial

Test Certification

UL (Underwriters Laboratories) test certificates available for the USA - will incur a surcharge
Suitable for Yachts - Rod and bolting available for use on yachts

IEC (International Electrotechnical Commission) test certificates available - will incur a surcharge



CL109-100 in Frosted Lucite Rods and Distressed Bronze Rods

Available Finishes

Lucite Finish



Clear Lucite
Rods

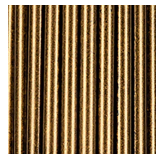


Frosted Lucite
Rods

Metal Finish



Stippled Bronze

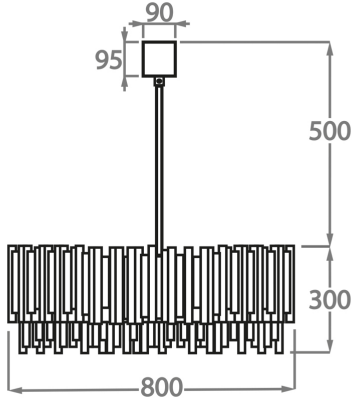


Stippled Gold

Available Sizes

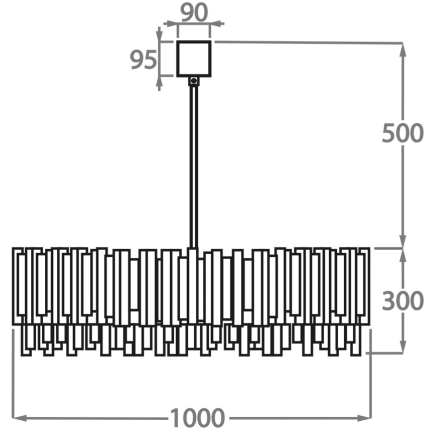
Size One

CL109-80,
Height: 30 cm (11.81")
Diameter: 80 cm (31.5")
Bulbs: 8 x 40W E27
Net Weight: 24 kg / 57 lb



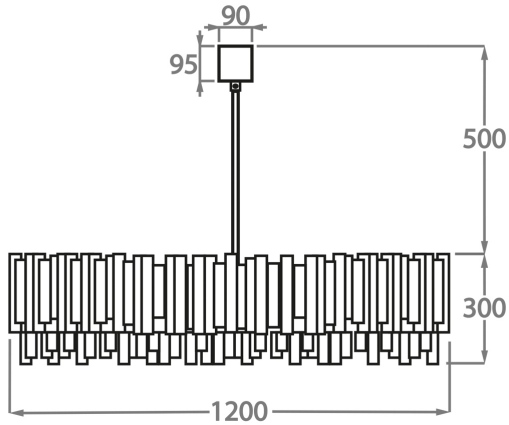
Size Two

CL109-100,
Height: 30 cm (11.81")
Diameter: 100 cm (39.37")
Bulbs: 8 x 40W E27
Net Weight: 31 kg / 68 lb



Size Three

CL109-120,
Height: 30 cm (11.81")
Diameter: 120 cm (47.24")
Bulbs: 8 x 40W E27
Net Weight: 40 kg / 88 lb



The dimensions of the central supporting rod and ceiling rose are not included in the height measurements.
The standard rod and ceiling rose is 50cm (20") high if not otherwise specified by the customer.