

# BELLA FIGURA

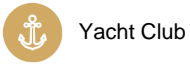
## Amphora Lamp

TL824

Collection Name  
**VEGA COLLECTION**

The Amphora table lamp pays homage to ancient civilisations who bestowed the names of their gods and goddesses on some of the celestial bodies we can witness with the naked eye. The naming of these astronomical discoveries gives them personified characteristics which in turn gave us inspiration for a number of the works included in this collection. An Amphora, chic and strong in silhouette, was often rewarded to victors in contests such as the Panathenaic games, thus the symbol of praise we chose to honour these ancient discoveries.

### Compatible with



TL824 in Chalk and Old English Brass with 13" Tall Drum Shade in James Hare Vyne Silk Rose Quartz 31625/13

### Available Finishes

#### Ceramic Finish

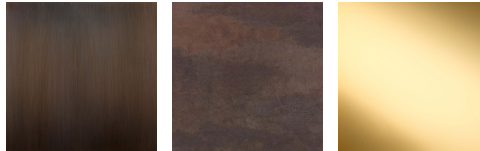


Chalk      Crackle      Dapple Grey



Jasper      Starry Sky      Tabasco

#### Neck and Bulb Holder



Bronze      Old English Brass      Polished Brass



Polished Nickel

#### Recommended Shade(s) (OPTIONAL)

13" Tall Drum

#### Silk Flex



Black      Cream      Brown



Silver

**Available Sizes**

---

**Size One**

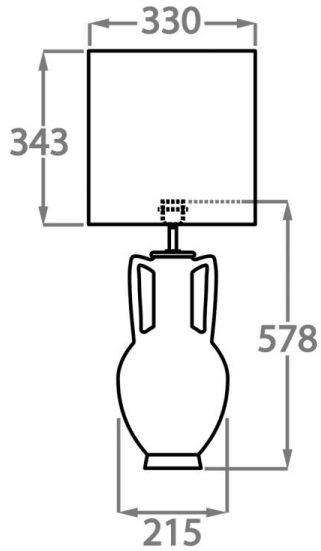
TL824,

Height: 57.8 cm (22.76")

Diameter: 21.5 cm (8.46")

Bulbs: 1 x 40W E27

Cable Exit: Bottom



Dimensions are measured from the base of the lamp to the middle of the bulb holder and are excluding shade.  
Overall height with recommended 13" tall drum shade is 88.3cm - 34.8"